

Amogh-dd-23 motorised

MICROCONTROLLER PROGRAMABLE MOTORISED AUTO DRAIN

TECHNICAL SPECIFICATION

Display : 3 Digit 7 Segment LED
 Supply : 110 V AC/230 V AC, 50Hz (Please Specify)
 Range : ONTIME (0-999 S/M/H (Factory set 1-9 Sec.)
 OFF Time : 0-999 S/M/H (Factory set 99.9 Min.)

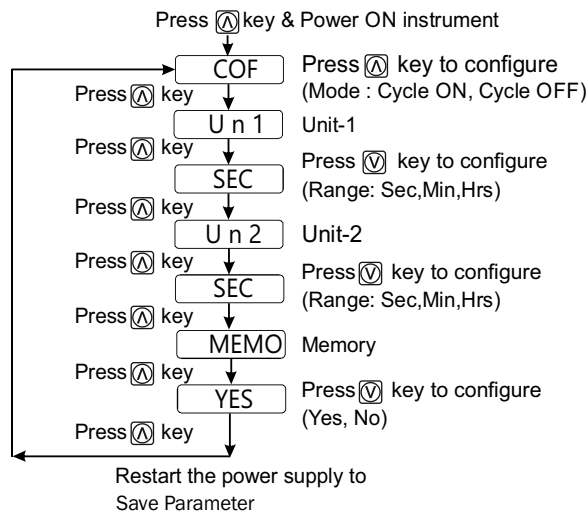


INDICATIONS (LED)

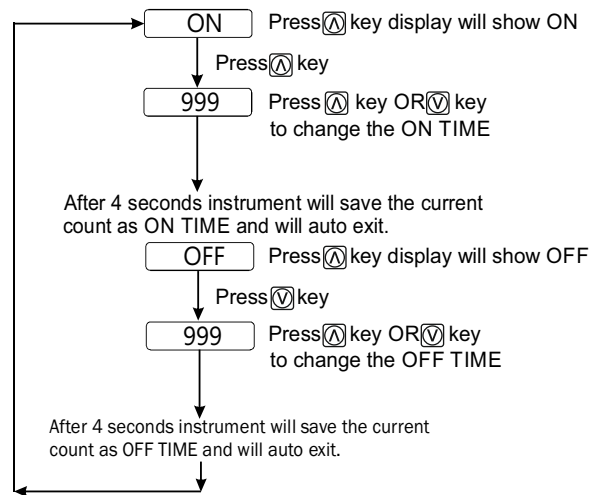
S : Set time in Seconds
 M : Set time in Minute
 H : Set time in Hours
 ON : Valve ON

Enclosure : Polycarbonate with IP65 (Weather Proof)
 Valve : SS 304 (As per requirement)
 Working Pressure : 16 Kg/cm² / 40 Kg/cm²
 Connection : 1/2" BSP (F)

MENU 1



MENU 2



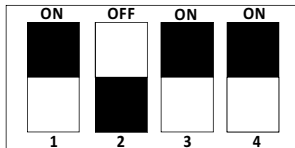
DIP SWITCH SETTING

Use Dip switch to configure SWITCH 1, SWITCH 2, SWITCH 3 & SWITCH 4 for DP Selection.

ON TIME			OFF TIME		
SWITCH-1	SWITCH-2	RANGE	SWITCH-3	SWITCH-4	RANGE
ON	ON	999	ON	ON	999
ON	OFF	99.9	ON	OFF	99.9
OFF	ON	9.99	OFF	ON	9.99
OFF	OFF	.999	OFF	OFF	.999

For Example, If we want to configure the timer like on time 99.9 seconds & off time 999 Min. Set the DIP switches as shown in figure.

WP	ORIFICE (in mm)
12	5.0/4.0
16	2.5
40	1.3
70	0.9



Model Selection
Amogh-d23
 MCD

XX X

Pressure
 12 - 12 Kg/cm²
 16 - 16 Kg/cm²
 40 - 40 Kg/cm²
 70 - 70 Kg/cm²

1 - 1/2"
 2 - 1"
 3 - 3/4"
 4 - 1/4"

XX XXXX

Body Material
 Aluminum - AL
 Brass - BR
 SS - SS-304*

* SS-316 Available on request

S. No.